

NEW
PRODUCT

 **marmoelettromeccanica**

Revolutionary Inline Polishing Wheels



For a perfect polish

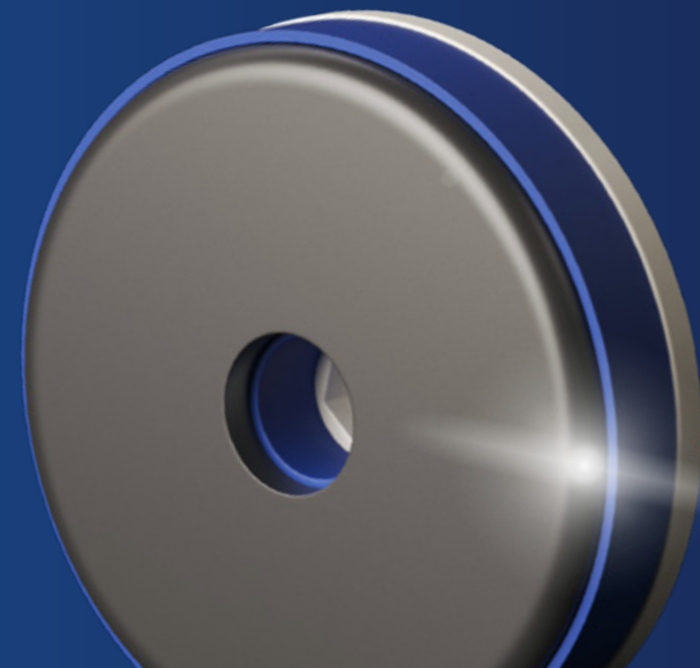


About Us



We proudly represent one of the leading Italian companies in the metal-mechanical sector, specializing in manufacturing diamond tools for processing natural and synthetic stone.

Internationally acclaimed, we boast the highest number of patents, utility models, and industrial designs in the stone industry, filed, extended, and confirmed on a global scale.



The innovation in edge polishing: our new Inline Polishing Wheels.

Designed for perfect polishing on both straight edges and bullnose profiles, these pads are the epitome of precision and quality in surface finishing.

Thanks to their design, specifically created for straight edges and bullnoses, they guarantee unprecedented performance.

Both solutions are equipped with a special polymer cushioning support. This innovation acts as a buffer for any machine inconsistencies and/or irregularities of the edge being worked on, thus ensuring a flawless finish. It's not just a pad; it's the key to unlocking the potential of your machines, ensuring every edge worked on is perfect. This unique feature guarantees an unparalleled level of polish, highlighting the true beauty of the material.

Whether you're polishing a flat edge or a bullnose, the Inline Polishing Pads adapt effortlessly, providing you with a solution that's as versatile as it is effective. Embrace the future of polishing with Inline Polishing Pads – where every edge is a masterpiece

Unmatched Speed and Gloss

Discover Our Revolutionary Diamond Polishing Pads.



Unmatched Speed

Thanks to innovative technology, our pads operate at speeds higher than any other option on the market. This means reduced processing times and increased productivity, without ever compromising on quality.



Precision Polishing

Each pad is engineered to ensure a flawless finish on a wide range of materials. Whether it's marble, granite, engineered stone, or ceramics, the result is always the same: a shiny and perfectly smooth surface.



Stunning Results on All Materials

Our special formula ensures that each pass of the pad leaves behind nothing but shine. Forget about matte or uneven finishes: with our pads, a perfect polish is guaranteed.



Extended Longevity

Our Inline Polishing Pads offer extended lifespan, saving costs and time by reducing machine downtime. Ideal for efficient production and lower operational expenses.



A single product for all materials

Discover unprecedented compatibility with the new Inline Polishing Pads – the only product you'll need for all materials. This cutting-edge technology is the epitome of versatility, allowing smooth work on a wide range of materials, both natural and artificial. Specifically designed for marble, granite, limestone, quartzite, engineered stone, and ceramic, it offers a unique solution that revolutionizes the polishing process.

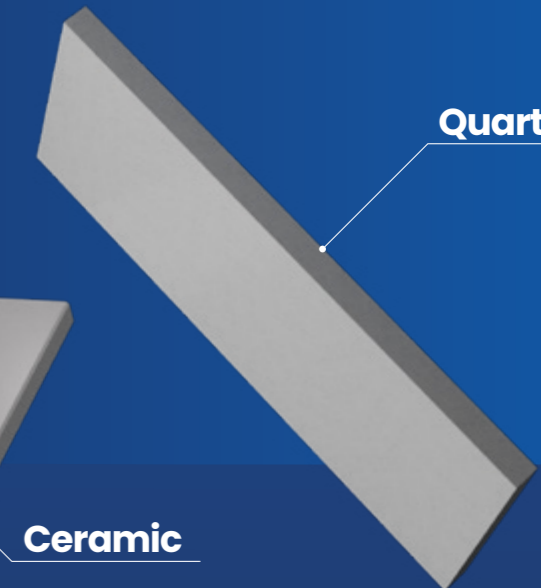
Our unique product eliminates the need to swap tools for different materials, allowing the same tool to effortlessly transition between various types of stone and ceramics. This not only saves significant time on machine setup but also increases production flexibility. Now, you no longer need to change tools; with just one type of pad, you can work on all materials consecutively.

Embrace the future of material processing where simplicity meets efficiency.

Engineered Stone



Quartzite



Ceramic



Granite



Marble



Profiles





Tools specially designed for straight edge polishing that have been engineered to achieve perfect polish. With discharge channels specifically designed for optimal tool lubrication, they enable flawless straight-edge polishing without any form of streaking, guaranteeing perfect shine and exceptional durability. These innovative tools embody precision and efficiency, transforming the process of straight-edge polishing into a smooth and effective operation. Their unique design not only guarantees superior shine but also extends the life of the tool, making it a valuable asset for any manufacturing process.

Embrace the ultimate solution for straight-edge polishing and experience unmatched polish quality, enhanced durability, and a significant reduction in operational downtime. Our commitment to innovation and excellence ensures that you achieve the best possible finish on every straight edge, setting new standards in the industry.

Flat Edge

Available in 13 grits



100% made in Italy • 100% made in Marmoelettromeccanica

-  #46
-  #80
-  #120
-  #220
-  #320
-  #400
-  #500
-  #800
-  #1000
-  #1500
-  #2000
-  #3000
-  #5000

Atomized Diamond Macromolecule

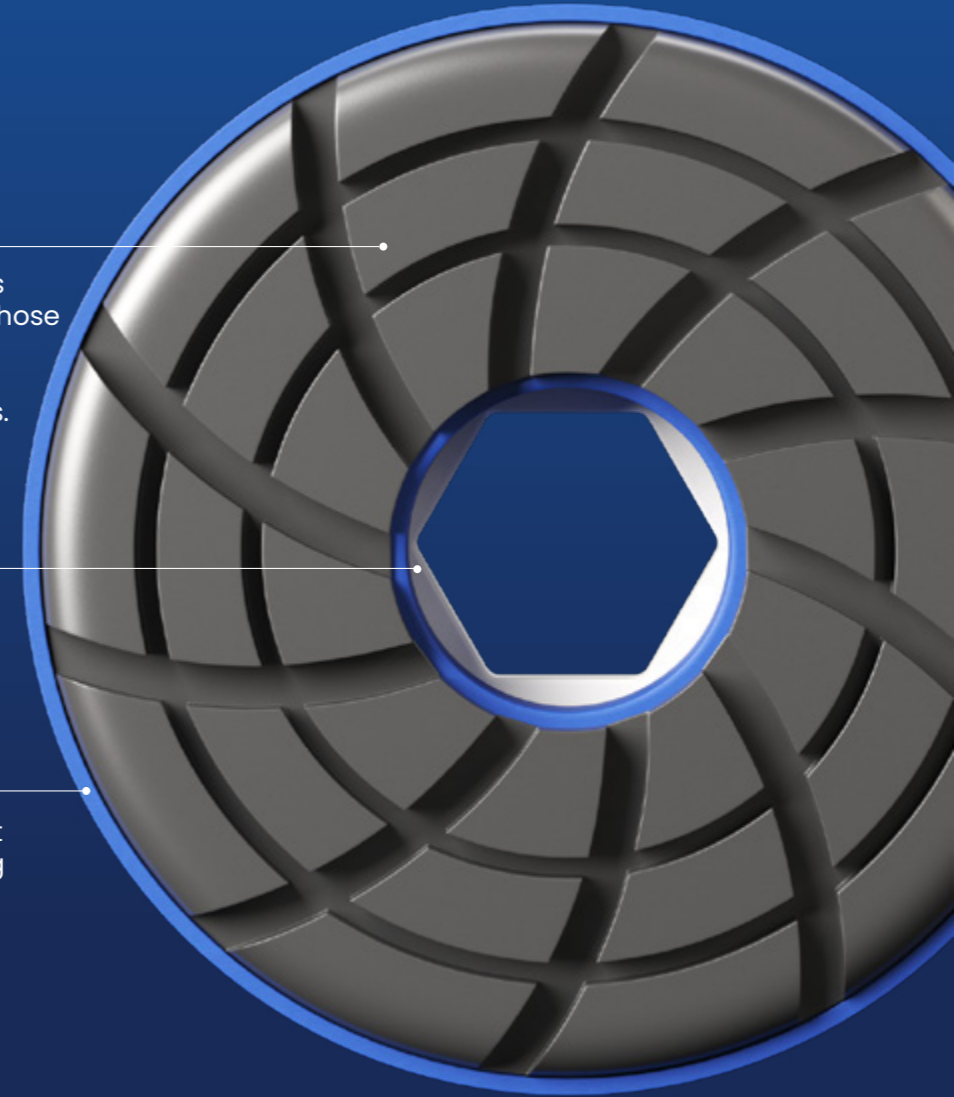
A special, patented binder that ensures durability up to five times longer than those currently available on the market. It offers perfect polish on all materials with much higher efficiency in progress.

Nylon Snail-Lock Attachment

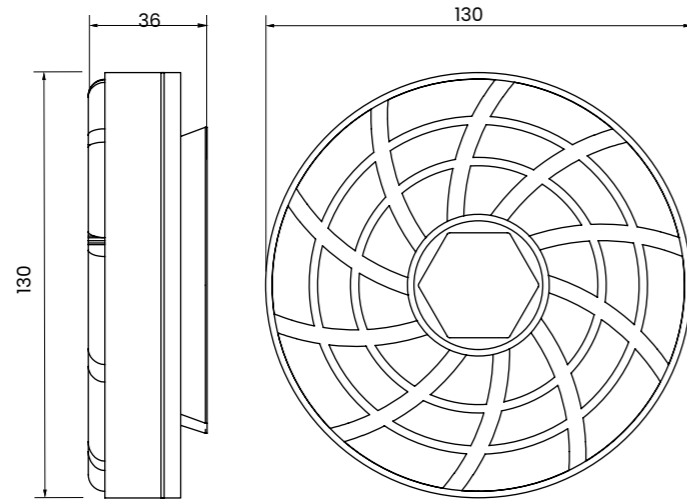
An attachment where the cushioning polymer membrane is vulcanized.

Cushioning Polymer Membrane

A special, high-density membrane that adapts to the material without creating any ripples or streaks, thus performing flawlessly in terms of flatness.

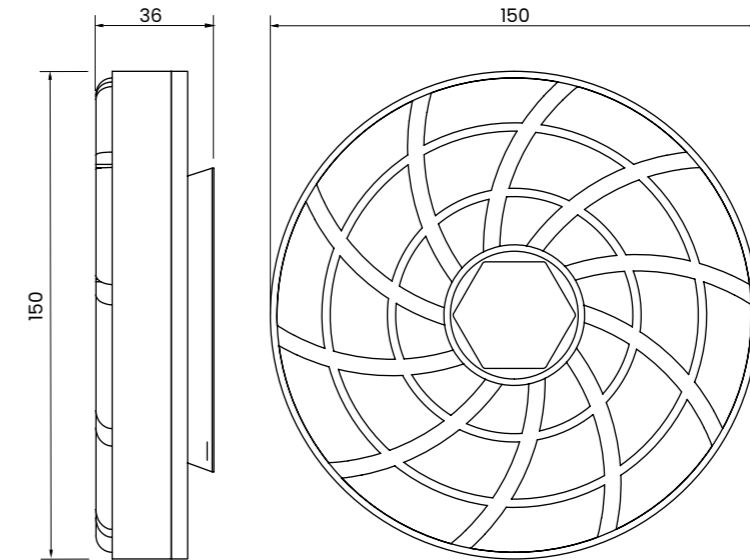


Ø130 (5")



| CODE | TECHNOLOGY | FITTING | GRAIN |
|------------|------------|------------|-------|
| SLL1300046 | Longlife+ | Snail Lock | 46 |
| SLL1300080 | Longlife+ | Snail Lock | 80 |
| SLL1300120 | Longlife+ | Snail Lock | 120 |
| SLL1300220 | Longlife+ | Snail Lock | 220 |
| SLL1300320 | Longlife+ | Snail Lock | 320 |
| SLL1300400 | Longlife+ | Snail Lock | 400 |
| SLL1300500 | Longlife+ | Snail Lock | 500 |
| SLL1300800 | Longlife+ | Snail Lock | 800 |
| SLL1301000 | Longlife+ | Snail Lock | 1000 |
| SLL1301500 | Longlife+ | Snail Lock | 1500 |
| SLL1302000 | Longlife+ | Snail Lock | 2000 |
| SLL1303000 | Longlife+ | Snail Lock | 3000 |
| SLL1305000 | Longlife+ | Snail Lock | 5000 |

Ø150 (6")



| CODE | TECHNOLOGY | FITTING | GRAIN |
|------------|------------|------------|-------|
| SLL1500046 | Longlife+ | Snail Lock | 46 |
| SLL1500080 | Longlife+ | Snail Lock | 80 |
| SLL1500120 | Longlife+ | Snail Lock | 120 |
| SLL1500220 | Longlife+ | Snail Lock | 220 |
| SLL1500320 | Longlife+ | Snail Lock | 320 |
| SLL1500400 | Longlife+ | Snail Lock | 400 |
| SLL1500500 | Longlife+ | Snail Lock | 500 |
| SLL1500800 | Longlife+ | Snail Lock | 800 |
| SLL1501000 | Longlife+ | Snail Lock | 1000 |
| SLL1501500 | Longlife+ | Snail Lock | 1500 |
| SLL1502000 | Longlife+ | Snail Lock | 2000 |
| SLL1503000 | Longlife+ | Snail Lock | 3000 |
| SLL1505000 | Longlife+ | Snail Lock | 5000 |





Bullnose

Tools specially designed for bullnose or other shaped profile polishing that have been engineered to achieve perfect polish.

These tools stand out for their perfectly flat surfaces, supported by a specially designed rubber membrane. This unique feature ensures impeccable polish on all materials and various profiles, promising extraordinary durability and a flawless finish.

This innovative design not only delivers unparalleled polishing performance but also maximizes the lifespan of the tools, allowing for extended use without any compromise on quality. The special polymer membrane plays a crucial role in achieving this, providing stable support that adapts to different profiles, guaranteeing consistent and perfect polish every time.

Available in 13 grits



100% made in Italy • 100% made in Marmoelettromeccanica

-  #46
-  #80
-  #120
-  #220
-  #320
-  #400
-  #500
-  #800
-  #1000
-  #1500
-  #2000
-  #3000
-  #5000

Atomized Diamond Macromolecule

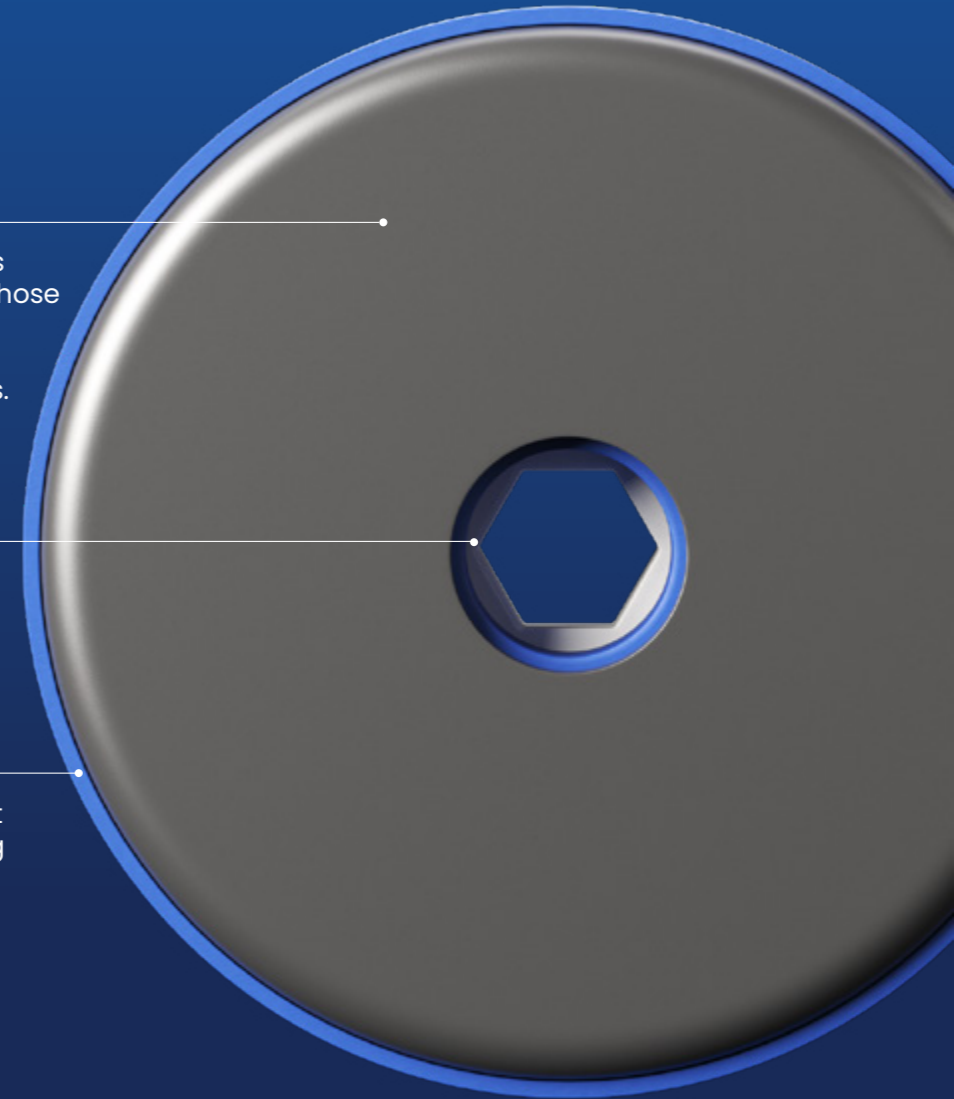
A special, patented binder that ensures durability up to five times longer than those currently available on the market. It offers perfect polish on all materials with much higher efficiency in progress.

Nylon Snail-Lock Attachment

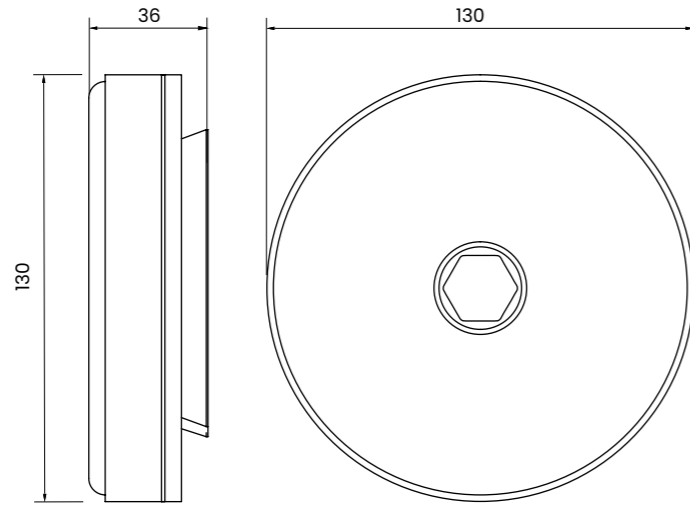
An attachment where the cushioning polymer membrane is vulcanized.

Cushioning Polymer Membrane

A special, high-density membrane that adapts to the material without creating any ripples or streaks, thus performing flawlessly in terms of flatness.

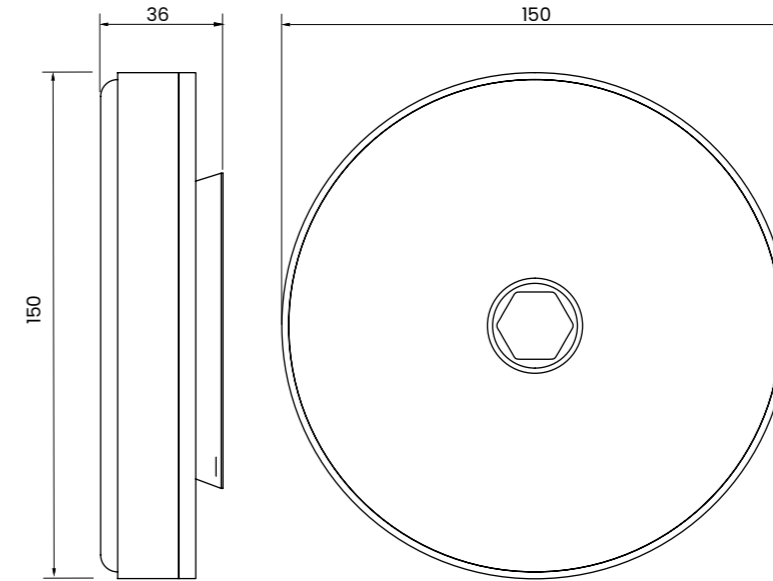


Ø130 (5")



| CODE | TECHNOLOGY | FITTING | GRAIN |
|------------|------------|------------|-------|
| SLB1300046 | Longlife+ | Snail Lock | 46 |
| SLB1300080 | Longlife+ | Snail Lock | 80 |
| SLB1300120 | Longlife+ | Snail Lock | 120 |
| SLB1300220 | Longlife+ | Snail Lock | 220 |
| SLB1300320 | Longlife+ | Snail Lock | 320 |
| SLB1300400 | Longlife+ | Snail Lock | 400 |
| SLB1300500 | Longlife+ | Snail Lock | 500 |
| SLB1300800 | Longlife+ | Snail Lock | 800 |
| SLB1301000 | Longlife+ | Snail Lock | 1000 |
| SLB1301500 | Longlife+ | Snail Lock | 1500 |
| SLB1302000 | Longlife+ | Snail Lock | 2000 |
| SLB1303000 | Longlife+ | Snail Lock | 3000 |
| SLB1305000 | Longlife+ | Snail Lock | 5000 |

Ø150 (6")



| CODE | TECHNOLOGY | FITTING | GRAIN |
|------------|------------|------------|-------|
| SLB1500046 | Longlife+ | Snail Lock | 46 |
| SLB1500080 | Longlife+ | Snail Lock | 80 |
| SLB1500120 | Longlife+ | Snail Lock | 120 |
| SLB1500220 | Longlife+ | Snail Lock | 220 |
| SLB1500320 | Longlife+ | Snail Lock | 320 |
| SLB1500400 | Longlife+ | Snail Lock | 400 |
| SLB1500500 | Longlife+ | Snail Lock | 500 |
| SLB1500800 | Longlife+ | Snail Lock | 800 |
| SLB1501000 | Longlife+ | Snail Lock | 1000 |
| SLB1501500 | Longlife+ | Snail Lock | 1500 |
| SLB1502000 | Longlife+ | Snail Lock | 2000 |
| SLB1503000 | Longlife+ | Snail Lock | 3000 |
| SLB1505000 | Longlife+ | Snail Lock | 5000 |





Sequence

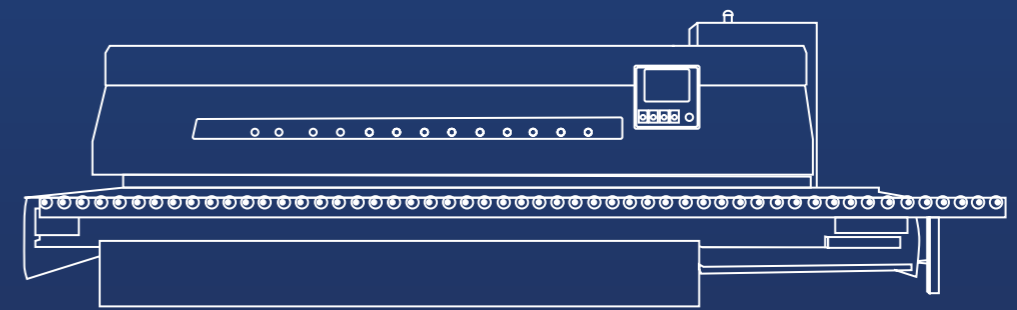
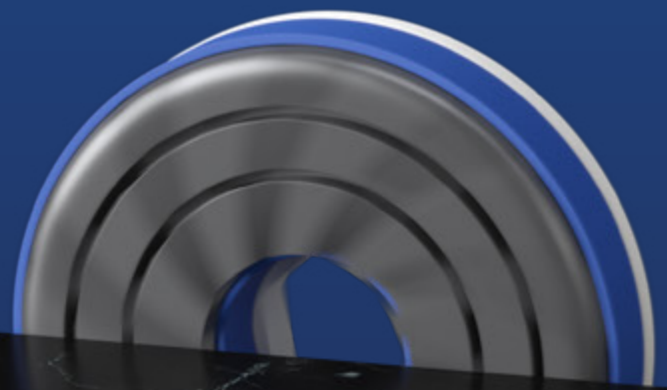
The table provides guidance on the indicative sequence for the Inline Polishing Pads.

However, adjustments may be necessary depending on the specific type of material and machine. Additionally, it's possible to sequence two identical grits to further increase speed.

For machines with more than eight heads, the choice of grits, in addition to those required for polishing, depends on the desired outcome.

Our technical department is fully available to advise you on the right sequence for your machine.

| GRITS | NUMBER OF HEADS | | | | | | | |
|---------|-----------------|---|---|---|---|----|----|----|
| | 5 | 6 | 7 | 8 | 9 | 10 | 11 | 12 |
| ● #46 | | | | | | | | |
| ● #80 | | | | | | | | |
| ● #120 | | | | | | | | |
| ● #220 | 1 | 1 | 1 | 1 | | | | |
| ● #320 | | 2 | 2 | 2 | | | | |
| ● #400 | 2 | | 3 | 3 | | | | |
| ● #500 | | 3 | | 4 | | | | |
| ● #800 | 3 | | 4 | 5 | | | | |
| ● #1000 | | 4 | 5 | 6 | | | | |
| ○ #1500 | 4 | 5 | 6 | 7 | | | | |
| ● #2000 | 5 | 6 | 7 | 8 | | | | |
| ● #3000 | | | | | | | | |
| ● #5000 | | | | | | | | |



— Recommended
 — Choice

Marmoelettromeccanica

Via Flaminia km 41,400
Rignano Flaminio, RM 00068 | Italy
T +39 0761 5051

2400 Main Street
Sayreville, NJ 08872 | US
T +1 833 MEM TOOL

marmoelettro.com





marmoelettro.com