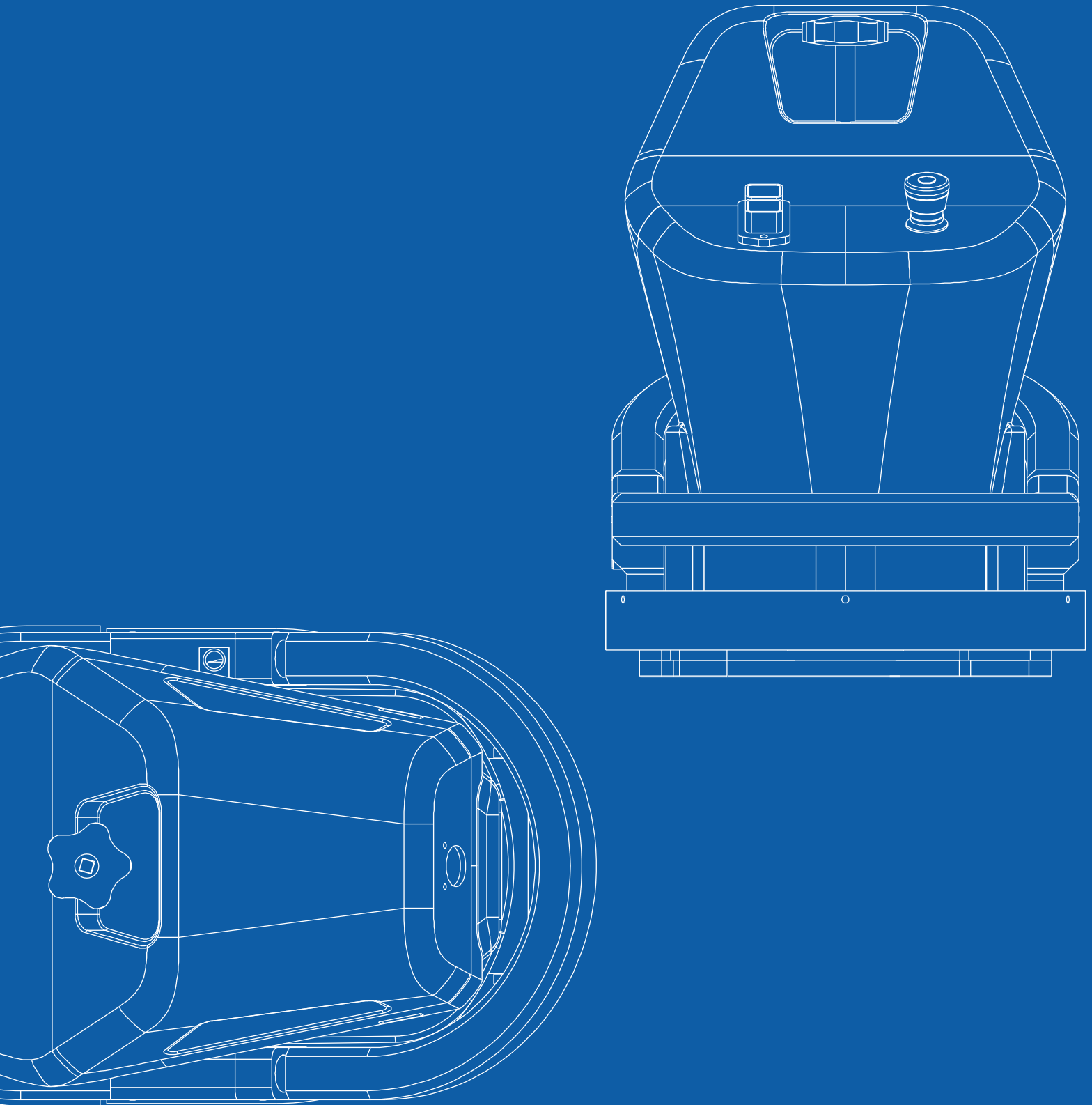


MASTER 4000







We proudly represent one of the leading Italian companies in the metal-mechanical sector, specializing in manufacturing diamond tools, machines and plants for processing ceramic, natural and synthetic stone.

Internationally acclaimed, we boast the highest number of patents, utility models, and industrial designs in the stone industry, filed, extended, and confirmed on a global scale.



MASTER 4000

Innovation and Tradition in Stone Processing

The **MASTER 4000** is a solid and robust manual machine designed for stone processing.

With just a few simple adjustments, it is ideal for shaping profiles quickly and efficiently.





Why process with MASTER 4000?

The **MASTER 4000** is the choice of professionals seeking a portable shaping machine that makes the stone processing fast, practical, and easy.

Profiling



The **MASTER 4000** manual contouring machine offers manufacturers the ability to work with any material in complex shapes, providing a high-quality product and significant time savings.

Main functions



Manual Z-Axis Adjustment

The manual adjustment of the tool on the Z-axis via the practical knob makes the Master 4000 suitable for various types of work.



Start - Stop

To start and finish the processing easily and safely.



Safety Button

Safety in the workshop is paramount, and the **MASTER 4000** is designed with the operator's peace of mind in mind. The Emergency Stop Button of the **MASTER 4000** is large and highly visible, to ensure optimal visibility in any situation.



Water System Plate

The Water System Plate is designed to enhance performance by allowing it to glide over a thin film of water. This unique feature ensures exceptionally smooth operation, preventing scratches on the surfaces of the materials being processed.



Smooth Operation
The water film between the machine and the material ensures that the Master 4000 moves effortlessly, reducing friction and preventing scratches on delicate surfaces.

Unique Design
Developed by Marmoelettromeccanica, this system is considered the best on the market. Its design not only improves operational fluidity but also contributes to the overall efficiency of the Master 4000.

Reliability and Durability
The Water System Plate is built to last. It does not clog or stop, ensuring continuous operation and long-lasting performance.





Safety and Efficiency at Low Voltage

The **MASTER 4000** is designed to ensure maximum safety in any work environment, operating at a low voltage of 48 volts. This makes it particularly safe for operators working in the presence of water. The low voltage also ensures the power and effectiveness of the machine, delivering high performance in all conditions of use.

The **MASTER 4000** combines advanced technology with uncompromised safety, setting new standards in the industry for operator protection and operational effectiveness.



Low Voltage, High Safety

Operating at only 48 volts, the **MASTER 4000** provides a safe working solution even in damp environments. This aspect is crucial for preventing injuries and ensuring workplace safety. It has been developed to ensure maximum stability and safety during use. The stainless steel contributes to the robustness of the cone, ensuring that it remains reliable under stress.



Ideal for Wet Environments

Its compatibility with wet environments makes it the ideal choice for sectors such as marble processing and other applications that require the presence of water during the process.



The Safest Machine in its Category

Thanks to its low voltage configuration and other integrated safety measures, the **MASTER 4000** is considered the safest machine in the world in its category, offering complete peace of mind to operators.

Protection and Efficiency



Protection Intermediate Switch

This machine is designed to operate at voltages of 110 volts or 220 volts, making it suitable for use in any workshop or construction site. This versatility in power supply ensures that the machine can be easily integrated into various work environments without the need for special adapters or transformers.

The **MASTER 4000** combines excellent power and operational flexibility, setting new standards of versatility and reliability in its field, and ensuring high-performance levels in every usage condition.

PERSONAL PROTECTION INTERMEDIATE SWITCH

A safety switch against electric shocks, with undervoltage release and a response time of less than 30 ms. It detects faults and immediately cuts off the power supply. Compatible with cables up to 3G2.5mm², it supports 230 V, 16 A, 3,500 W, and has IP66 protection.



Dual Voltage Option

With the ability to function at both 110 volts and 220 volts, the machine offers unprecedented flexibility, easily adapting to both small artisan workshops and large industrial sites.



Guaranteed Power

A consumption of 1500W for 220 volts and 14Ah for 110 volts ensures that the machine has the necessary power for heavy and continuous operations, maintaining high standards of efficiency and productivity.



Ideal for Any Environment

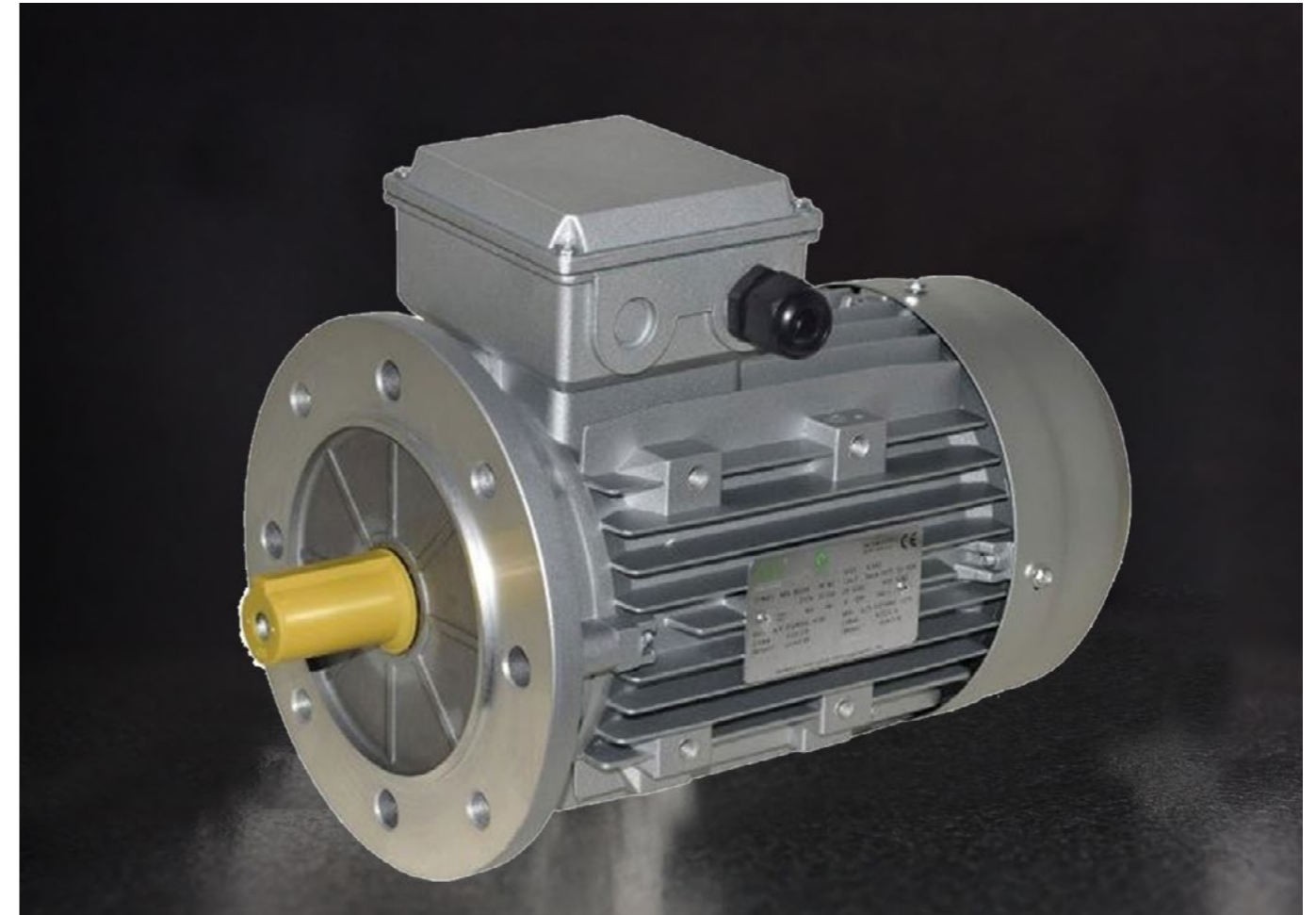
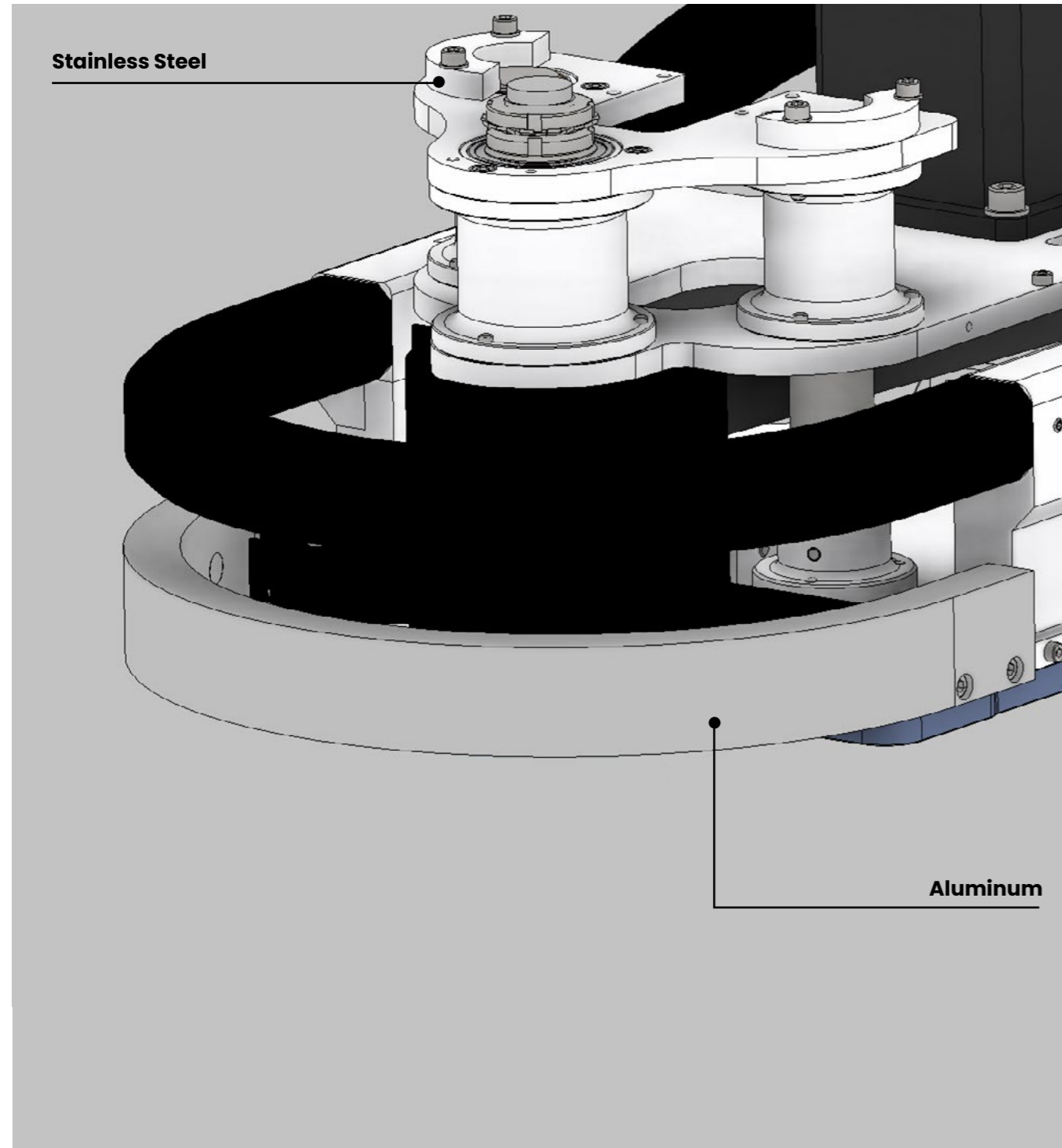
Its ability to operate with different voltages makes it ideal for international use, overcoming barriers that often limit the use of heavy machinery due to local power specifications.

MASTER 4000: Built to Last

The **MASTER 4000** is entirely constructed from stainless steel and aluminum, materials chosen to ensure maximum durability and resistance over time. This combination also provides superior resistance to corrosion, wear, and environmental stress.

Previous versions of the Master have proven their reliability and longevity, with machines still operational after more than 30 years of intensive service. This impressive track record is a testament to the outstanding quality and longevity of the Master machines.

The **MASTER 4000** reduces the need for maintenance and replacement. It is ideal for those looking for a reliable product that will ensure excellent performance for decades



High-Efficiency Motor and Superior Performance

The **MASTER 4000** is equipped with a monophase motor, a technological choice that enhances both efficiency and ease of use. This single-phase motor is designed to deliver consistent power while simplifying installation and maintenance.

With this advanced motor, the **MASTER 4000** represents the pinnacle of mechanical and electrical efficiency, providing superior performance and lower operating costs, making every task simpler and more productive.



Energy Efficiency

These motors are designed to optimize energy consumption while delivering consistent performance.



Increased Durability

The single-phase motor's simplified design increases lifespan, requiring less maintenance and fewer replacements.



Enhanced Performance

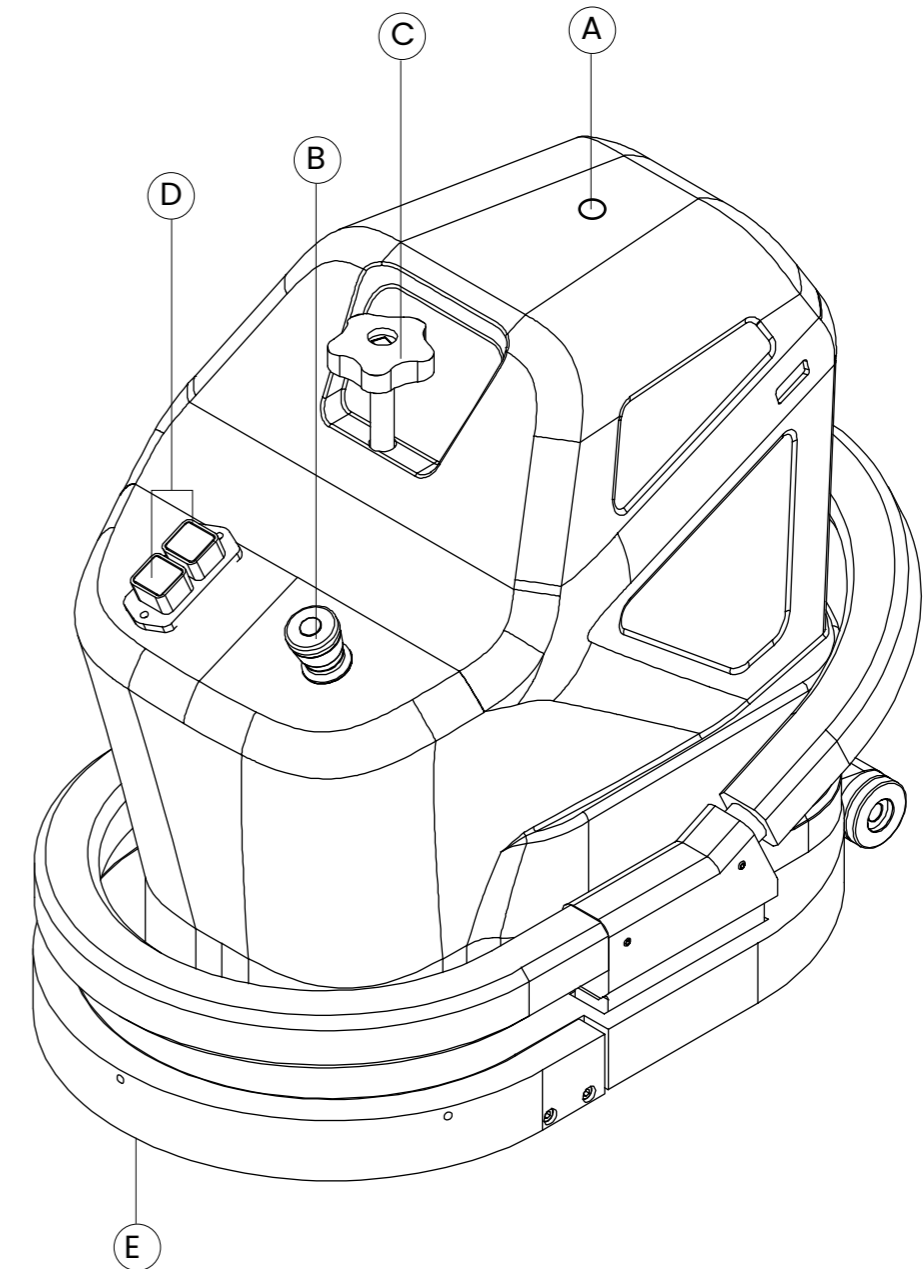
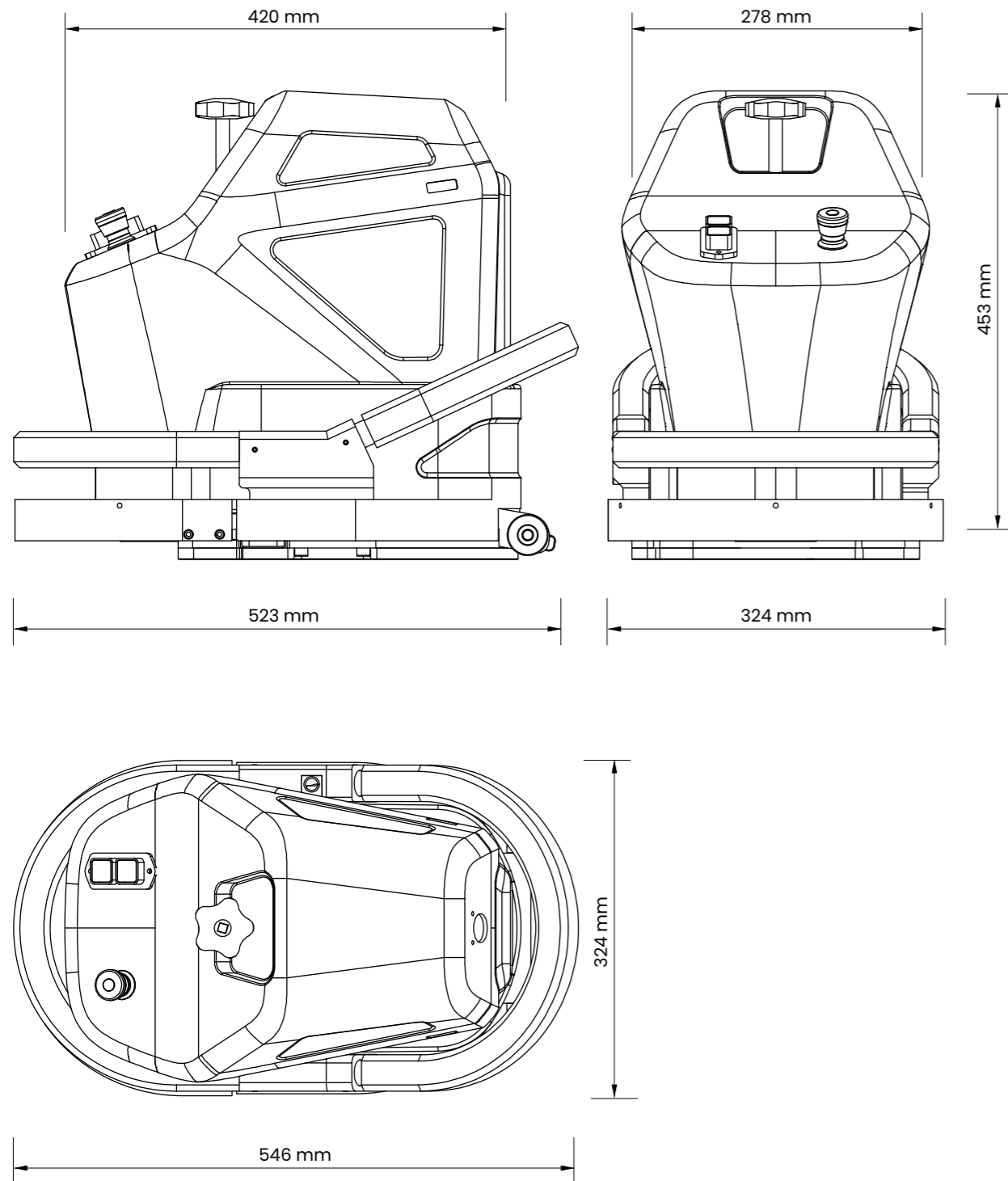
The single-phase motor delivers consistent power at all speeds, ensuring maximum performance.



Reliability

With fewer mechanical components, the single-phase motor offers greater reliability and consistent performance, even under heavy loads.

MASTER 4000



A- Electrical cable. the 48 volt current has to travel 6 metres long; the cable must always be connected to the central conversion unit by a special plug.

B- Stop button. Red stop switch is marked with "OFF" gives you the possibility to quickly turn off the machine even in an emergency.

C - Knob Z-Axis. The manual adjustment of the tool on the Z-axis via the practical knob makes the Master 4000 suitable for various types of work.

D - Start and Stop. Buttons to start and finish the processing easily and safely.

E- Water spray system. The machine is equipped with 4 adjustable water jets and a system for washing the surface which ensures that the bits cool down and that dust does not build up.

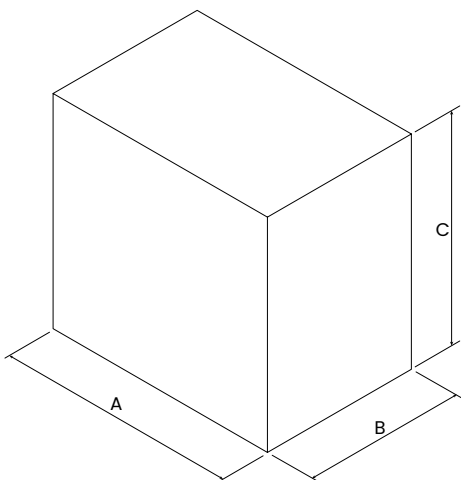


Technical Data

MASTER 4000

SHAFT SPEED	RPM 6000
MECHANICAL STRUCTURE	Aluminum Stainless Steel
MOTOR	1,8 kw - 110 VAC 60 H 1 Ph
HOUSING	MDPE
SPECIAL TREATMENT	
Mechanical part	Anticorodal
Aesthetic part	Heat painted
TRANSMISSION	Poly/v 12J
MANUAL TOOL ADJUSTMENT	0 - 60mm

Packaging



MASTER 4000

A	610 mm
B	410 mm
C	580 mm
Weight	35 kg

Marmoelettromeccanica

Via Flaminia km 41,400
Rignano Flaminio, RM
00068 | Italy
T +39 0761 5051

2400 Main Street
Sayreville, NJ 08872 | US
T +1 833 636 8665

marmoelettro.com

